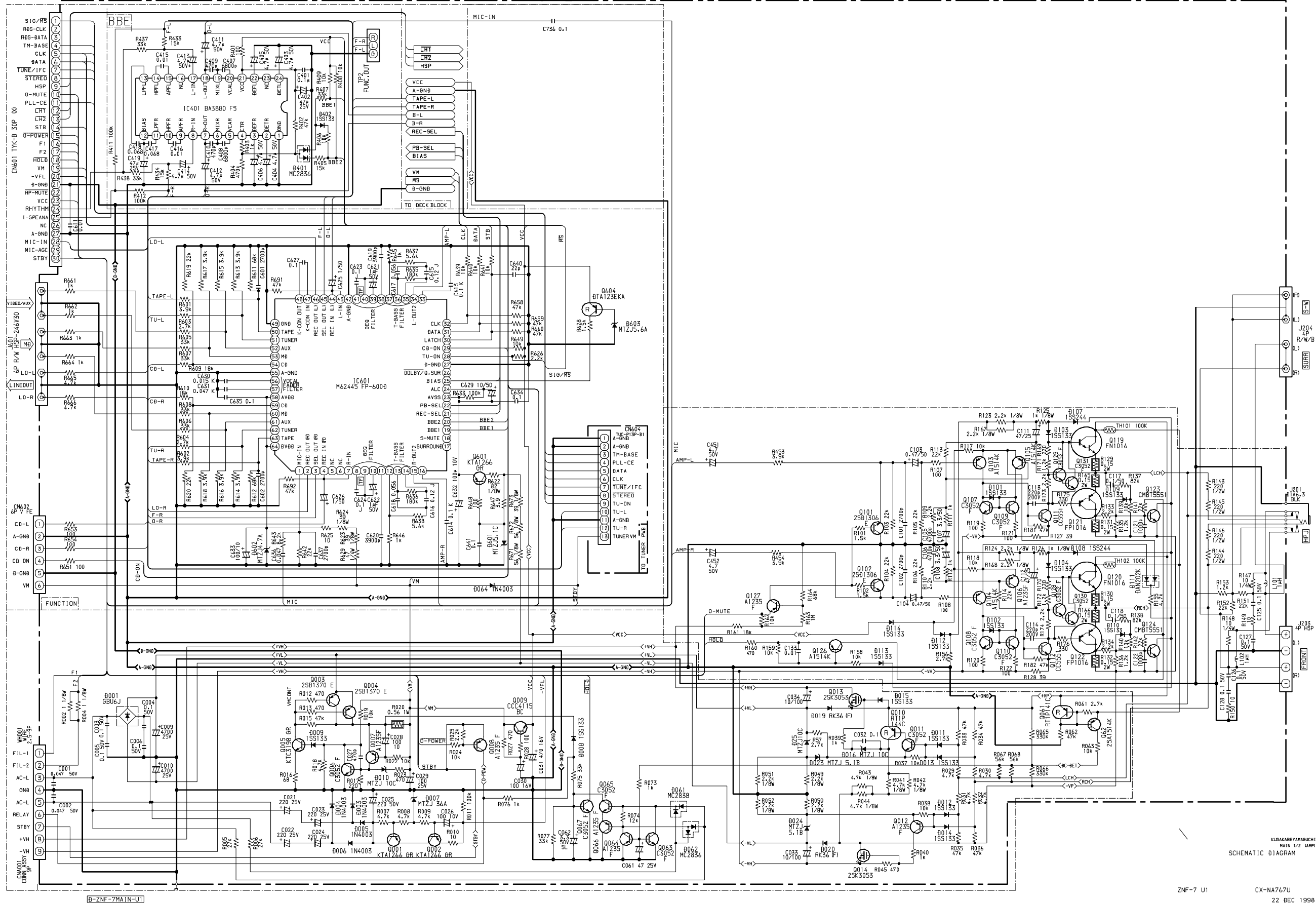
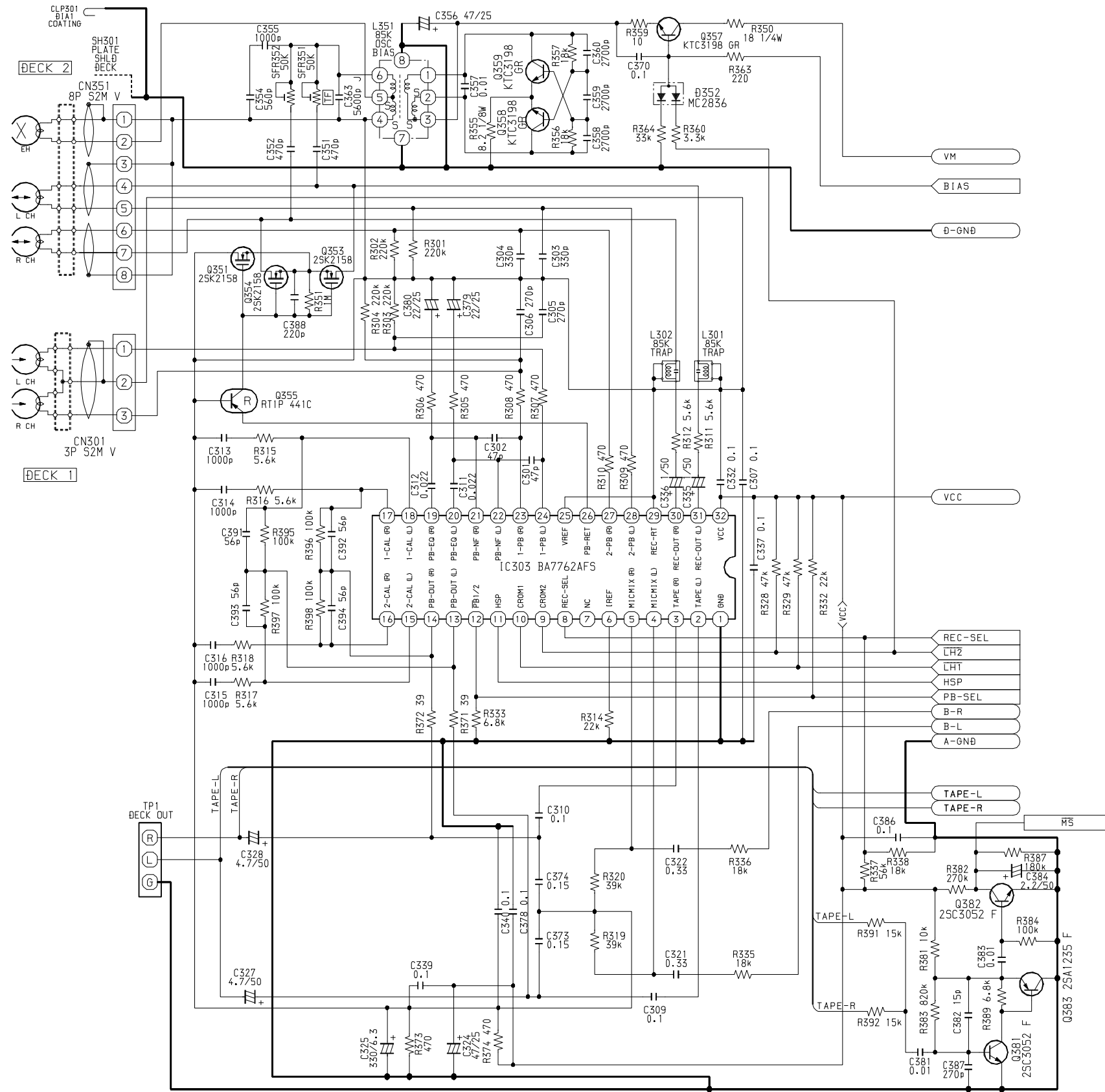


AIWA NSX-A777/S777/A767 SCHEMATIC DIAGRAM _ 1 (MAIN 1/2: 767U)



KUSAKABEYAMASU
MAIN 1/2 (AMP)
SCHEMATIC DIAGRAM

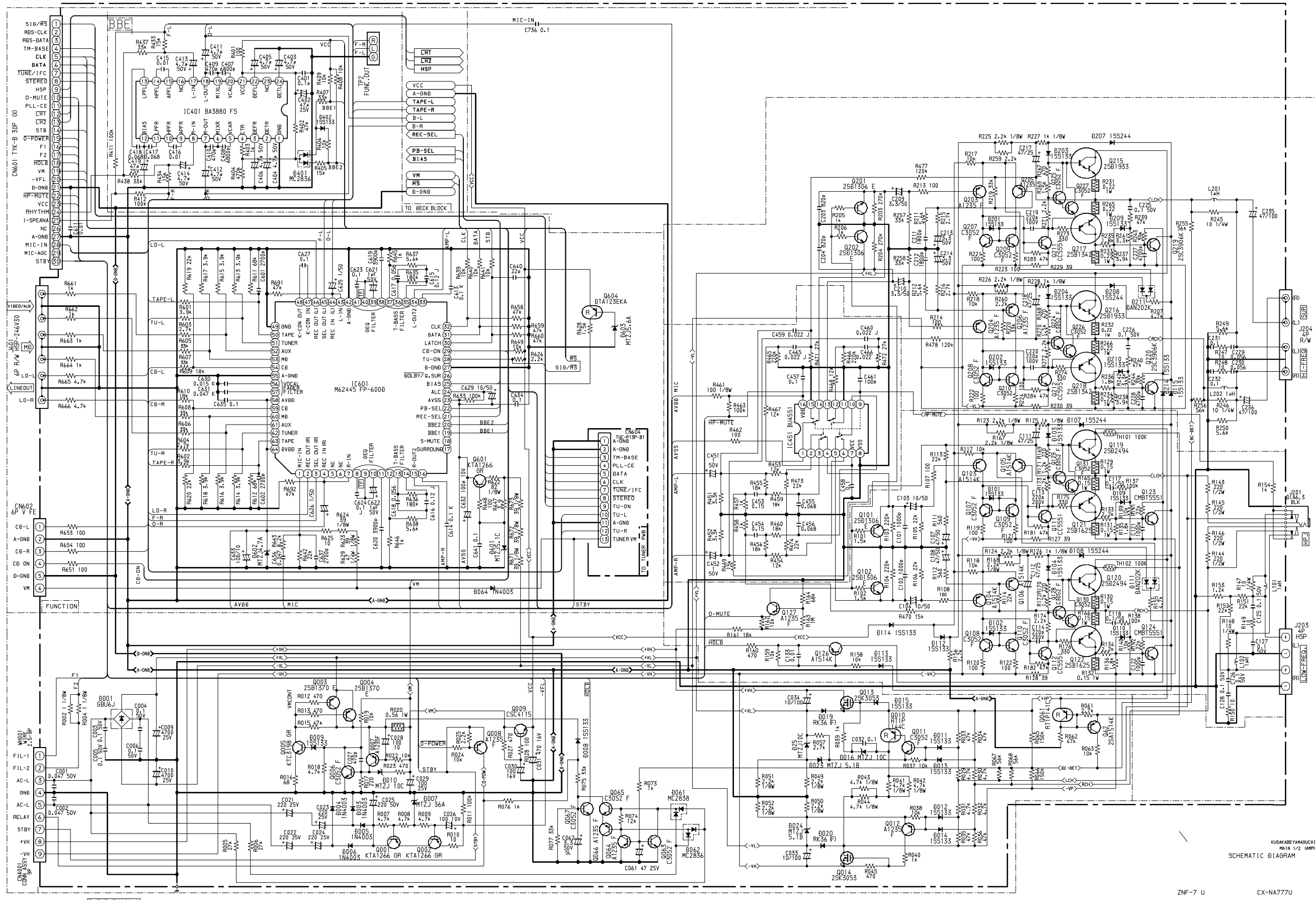
SCHEMATIC DIAGRAM - 2 (MAIN 2/2: 767U)



D-ZNF-7MAIN-U1

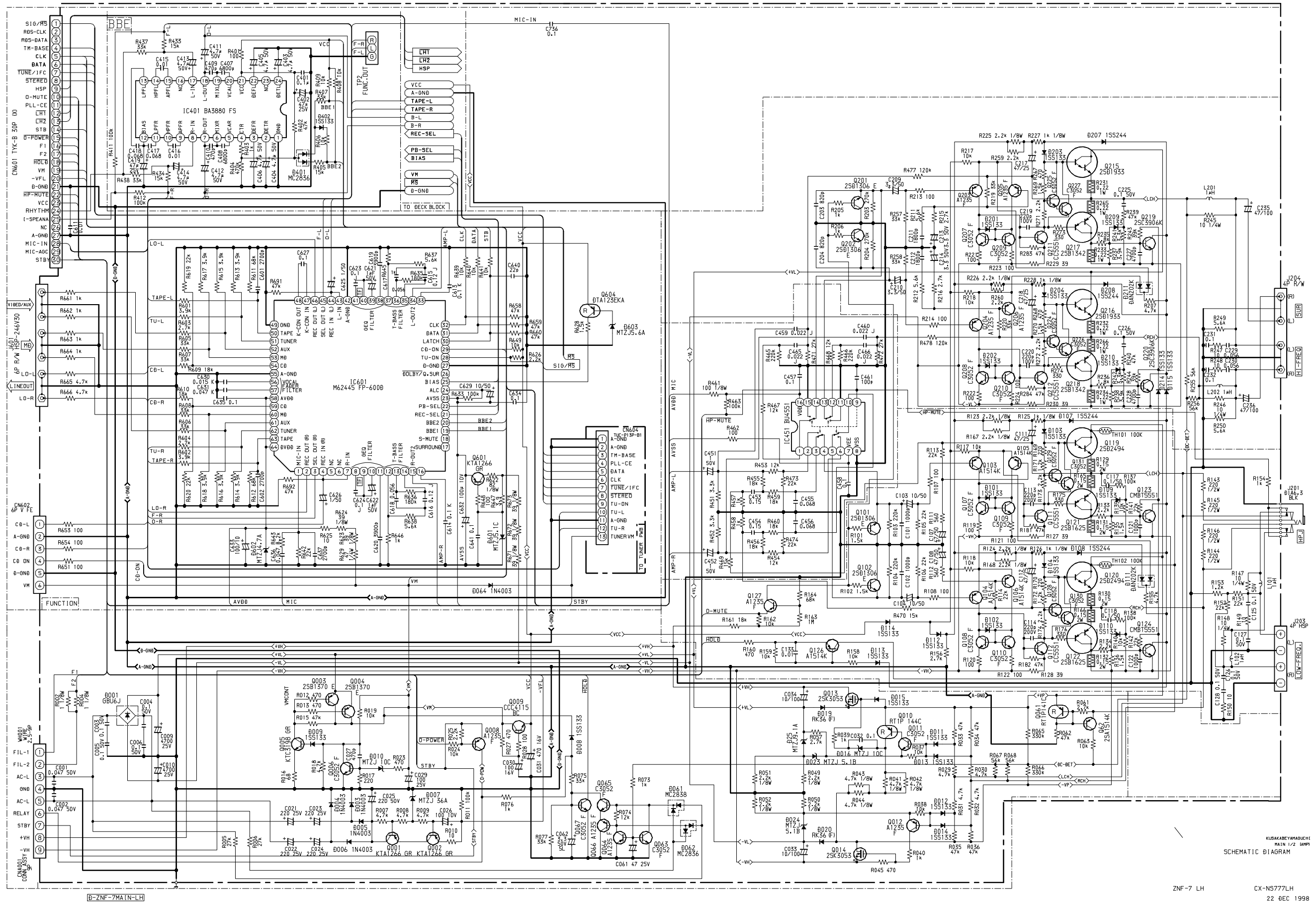
K. KOMATSU
MAIN 2/2 (BECK)
SCHEMATIC DIAGRAM

SCHEMATIC DIAGRAM - 3 (MAIN 1/2: 777U)



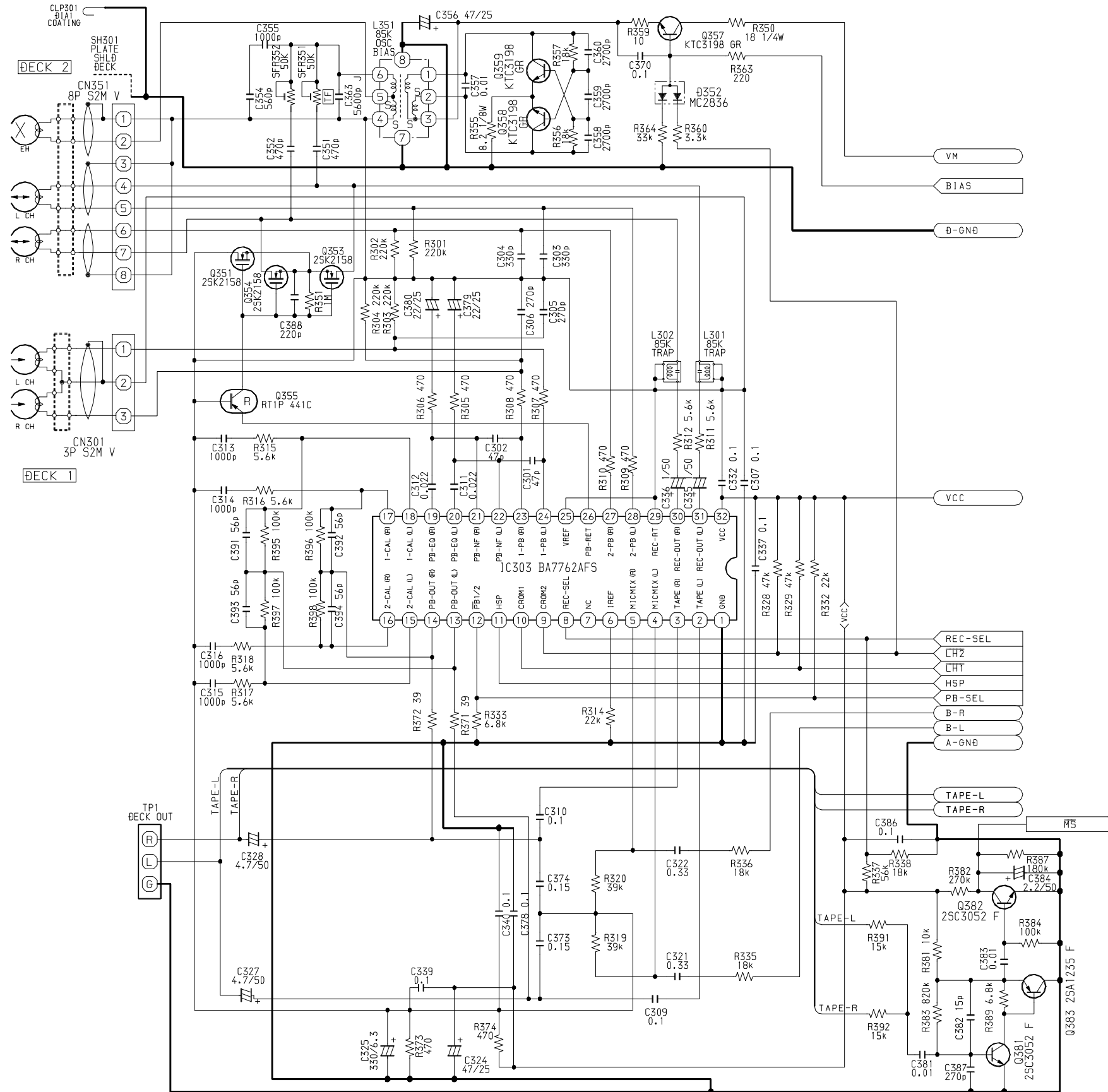
KUSAKABAYANUCHI
SCHEMATIC DIAGRAM

SCHEMATIC DIAGRAM - 5 (MAIN 1/2: 777LH)



KUSAKABEYAMAGUCHI
SCHEMATIC DIAGRAM

SCHEMATIC DIAGRAM – 6 (MAIN 2/2: 777LH)



K. KOMATSU
 MAIN 2/2 (BECK)
 SCHEMATIC DIAGRAM

K

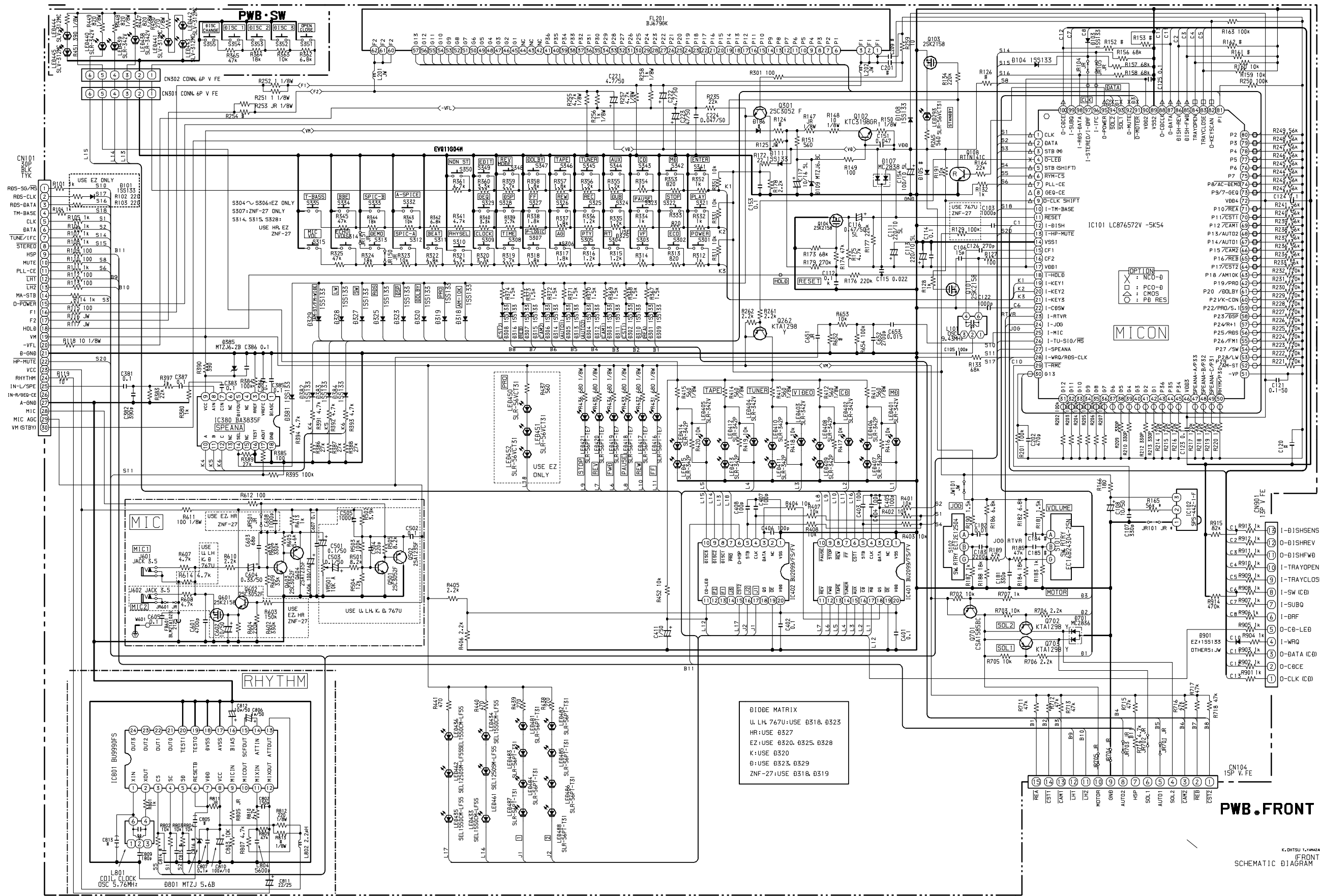
D-ZNF-7MAIN-LH

ZNF-7LH

CX-NS777LH

22 DEC 1998

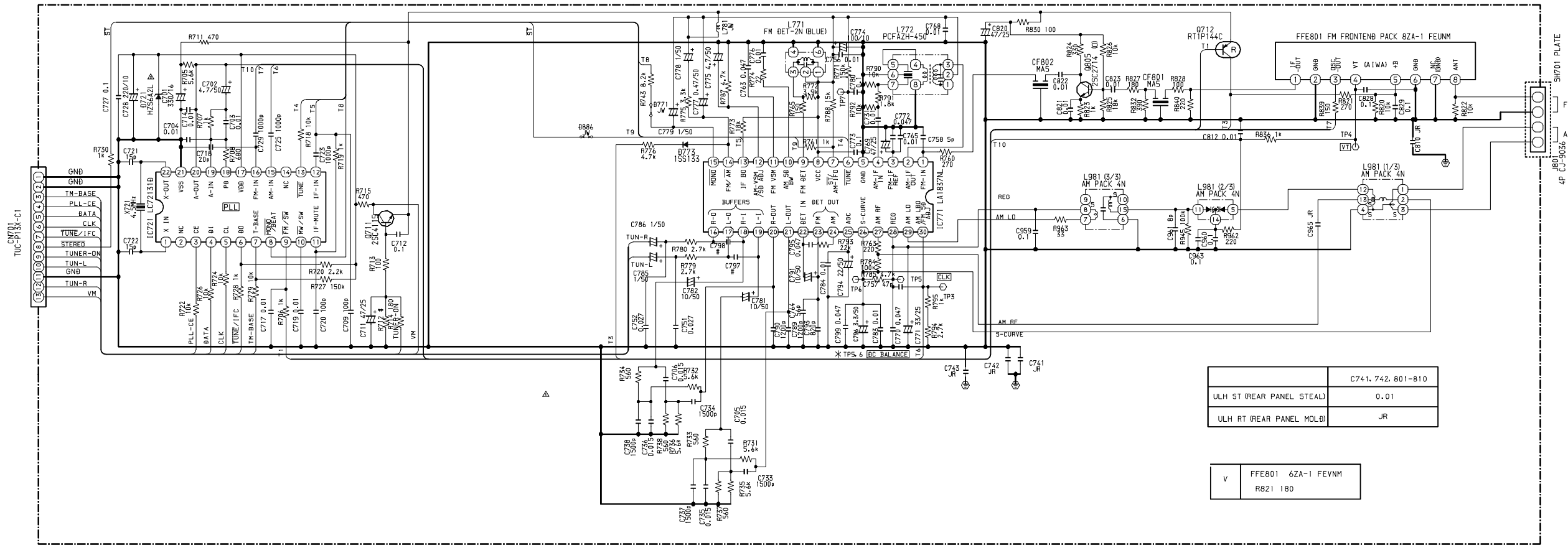
SCHEMATIC DIAGRAM - 7 (FRONT)



PWB.FRONT

K. OHTSU T. YAMAZAKI
(FRONT)
SCHEMATIC DIAGRAM

SCHEMATIC DIAGRAM – 9 (TUNER)



B-ZZA-1-ULH

94V0 1=1.6
FENORIC 130C
981021 CHANGE 0721 Δ
M12J5.6A -> HZ56A2L
981001 CANCEL C894 JR Δ

6.
TAKEZAWA

BZ ZA1 621 11
QC-8ZZA1-02-1

SCHEMATIC DIAGRAM - 10 (TUNER FRONT END)

